

HI-TECH TRANSMISSION ENGINEERS

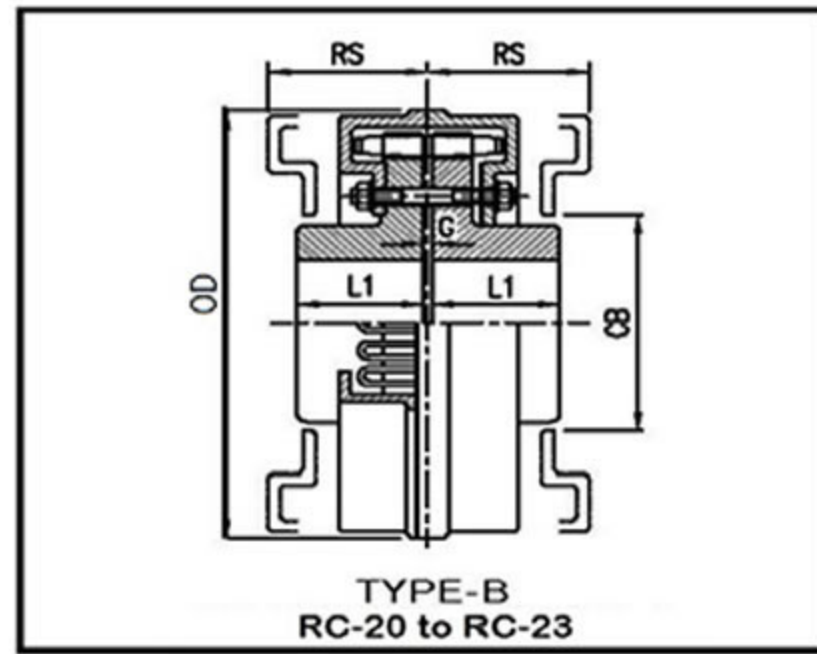
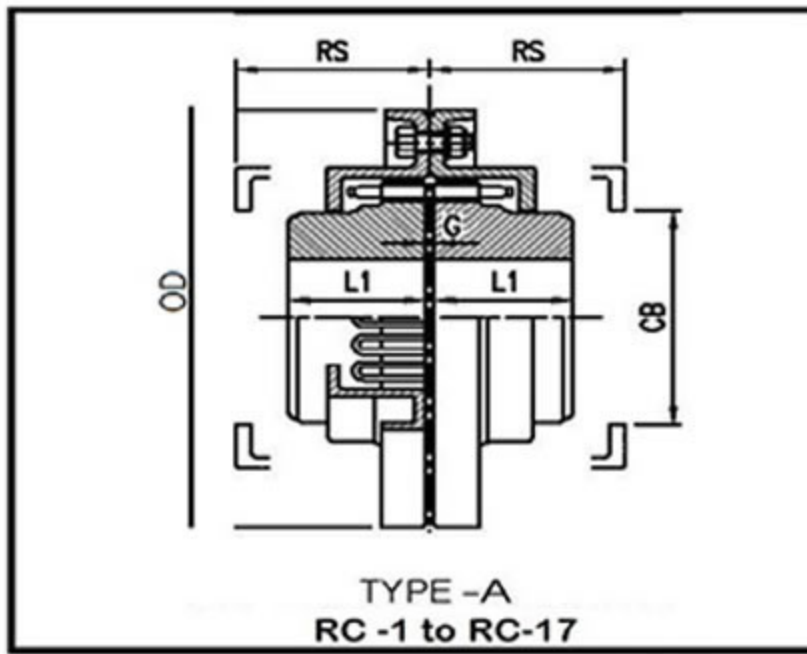
Manufacturer : HI-TECH Brand Couplings

H-47 & H-58 Sector-4, DSIIDC Industrial Area, Bawana, Delhi-110039 (India)

Ph : 011-41094414 , 9312628280.

E-mail : info@hi-techcouplings.com , anubhav.hitechcouplings@gmail.com

RESILIENT COUPLING / GRID COUPLINGS



FOR USE ON HORIZONTAL SHAFTS ONLY

DIMENSIONAL TABLE

Size	Rating HP/ RPM	Clear Dia OD	Boss Length L-1	Removal Space RS	Gap G	Cover Bore CB	Safe Speed	Bore Min	Bore Max	Approx weight	Code
RC-1	.006	105	38.0	52	.85	44.5	5650	10	29	3	102
RC-2	.010	120	38.0	52	.85	59.0	4750	12	38	4	110
RC-3	.020	144	44.5	59	.85	62.0	4450	16	41	5	120
RC-4	.030	171	51.0	59	.85	87.5	3400	16	57	9	124
RC-6	.045	190	51.0	79	.85	84.0	3200	16	54	11	130
RC-7	.065	197	57.0	79	.85	97.0	2950	16	64	15	136
RC-8	.095	222	63.5	79	.85	119.0	2500	25	78	20	152
RC-9	.125	254	70.0	80	.85	143.0	2150	25	92	27	158
RC-10	.185	276	89.0	80	.85	165.0	1900	25	108	43	168
RC-11	.355	295	102.0	128	1.60	156.0	1800	38	102	54	212
RC-13	.455	324	101.5	147	1.60	187.0	1650	50	123	63	236
RC-14	.655	336	101.5	147	1.60	184.0	1550	50	121	72	266
RC-15	.905	375	114.5	147	1.60	222.0	1350	50	146	104	290
RC-17	1.255	425	127.0	147	1.60	254.0	1200	50	167	149	318
RC-20	1.755	432	140.0	179	3.20	240.0	1200	75	157	175	432
RC-22	2.405	432	140.0	179	3.20	240.0	1200	75	157	180	432
RC-23	2.755	492	152.5	179	3.20	267.0	1100	85	173	207	478
RC-23	3.505	492	152.5	179	3.20	267.0	1100	85	173	215	478

All Dimensions in MM.

We reserve the right to change / alter dimensions without notice.

HI-TECH Transmission Engineers

Mobile: 9312628280

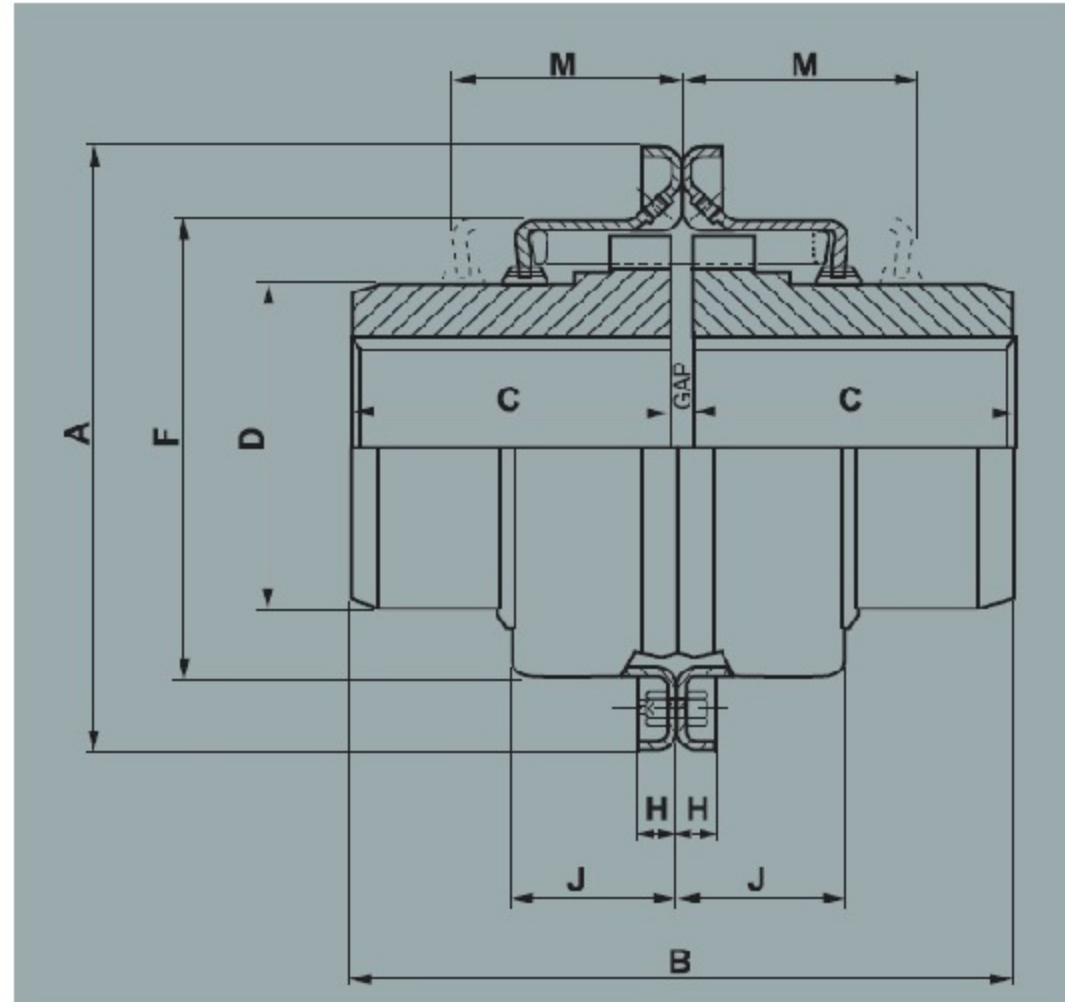
SWASTIKA INDUSTRIES

H-57 Sector-4 DSIDC Industrial Area Bawana Delhi-110039 India.

Ph : 011-27762646 , 27762647

E-mail : flexioncouplings@yahoo.co.in , swastikaindustries@yahoo.co.in

Taper Grid Coupling



Vertical Cover

Size	Rating Nm	Max Rpm	Min Bore	Max Bore	A	B	C	D	F	H	J	M	Gap
1020	48	6000	13	27	111	98	47.5	40	63	9.5	24	48	3
1030	136	6000	13	35	121	98	47.5	49	72	9.5	25	48	3
1040	226	6000	13	44	129	105	50	57	80	9.5	26	51	3
1050	395	6000	13	51	148	124	60	66	97	13	31	61	3
1060	621	6000	19	57	162	130	63	76	110	13	32	64	3
1070	904	5500	19	68	173	156	76	87	121	13	34	67	3
1080	1864	4750	25	83	200	181	90	104	149	13	44	89	3
1090	3390	4000	25	95	232	200	98	123	168	13	47	96	3
1100	5700	3250	42	108	267	246	120	142	198	16	60	121	5
1110	8470	3000	42	117	286	259	127	160	216	16	63	124	5
1120	12425	2700	60	137	319	305	149	179	246	16	73	143	6
1130	1800	2400	60	165	378	330	160	217	284	22	75	147	6
1140	25900	2200	60	184	416	375	182	254	322	22	78	156	6

All Dimensions in MM.

We reserve the right to change / alter dimensions without notice.